



grupo díaz redondo

DECLARATION OF PERFORMANCE

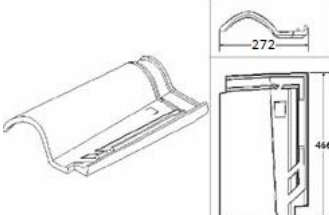
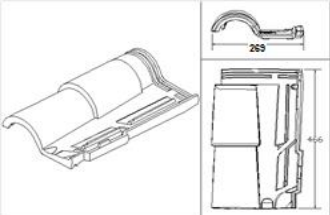
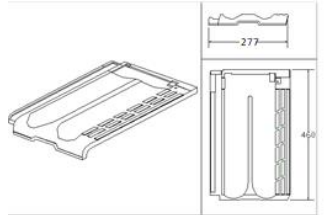
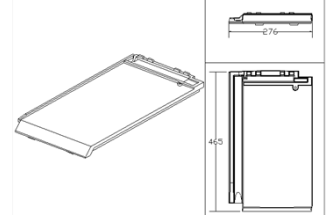
Number DP-201

Hermanos Díaz Redondo, S.A.
Camino de la Barca S/N E 45291 E Cobeja (Toledo) - ESPAÑA

PRODUCT IDENTIFICATION

Clay roofing tiles and fittings with sidelock and headlock

ARTICLE IDENTIFICATION

<p>Clay roofing tile with sidelock and headlock MIXTA 466 X 272 mm</p> 	<p>Clay roofing tile with sidelock and headlock CCITANIA 466 X 269 mm</p> 	<p>Clay roofing tile with sidelock and headlock MARSELESA 460 X 277 mm</p> 	<p>Clay roofing tile with sidelock and headlock MONEO 465 X 276 mm</p> 
--	--	--	---

INTENDED USE

Clay roofing tile for pitched roof coverings and wall cladding

SYSTEM EVALUATION AND VERIFICATION OF CONSTANCY OF PERFORMANCE

System: 4	Notified body: not apply	Certificate: not apply
-----------	--------------------------	------------------------

PERFORMANCES DECLARED

Characteristic	Performance	Harmonized technical specifications
Flexural strength	Pass	EN 1304:2014
External fire performance	Broof	
Fire reaction performance	A1	
Impermeability	Category 1. Test method 1	
Dimensional tolerance	Pass	
Frost resistance	UNE 539-2 ~ 150 cycles	

Product performances are accordance with declared performance
This declaration of performance is issued under the sole responsibility of Hermanos Díaz Redondo, S.A.

AUTHORIZED REPRESENTATIVE

Authorized representative	Place and date of issued	Signature
Manuel Díaz Herrando	Cobeja, February 24, 2019	